

R134a MODELS PHASE OUT

Dear Customer,

Huayi Group would like to announce that has started standardization project of R134a and R600a models that are currently part of our product range, thus optimizing our internal process and, **offering to the market more efficient alternatives and more compact and silent designs.**



Completely
Silent



Minimum
size



Maximum
Efficiency



**green
cooling**

R134a MODELS

PHASE OUT MODEL

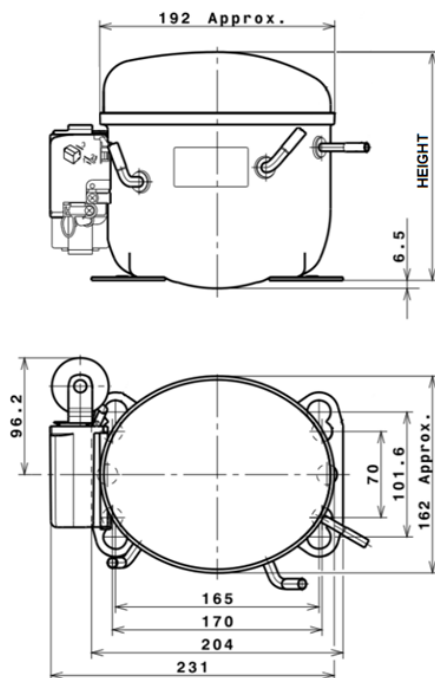
Model	Disp. cc	Capacity W	COP W/W	Motor	Voltage	Height mm	Approvals
GL45MG	4,56	409	1,95	CSIR	230V 50/60Hz	175	VDE
GL45TB	4,56	409	1,86	CSIR	220-240V 50Hz	175	VDE
GL45TG	4,56	409	1,95	CSIR	200-240/220-230V 50/60Hz	175	VDE / UL
GLY45RAa	4,56	448	2,25	CSIR	220-240V 50Hz	175	VDE
GL60TB	5,68	523	2,09	CSIR	220-240V 50Hz	175	VDE
GL60TG	5,68	523	2,09	CSIR	200-240/220-230V 50/60Hz	185,6	VDE / UL
GL80TB	7,57	663	2,10	CSIR	220-240V 50Hz	185,6	VDE
GL80TG	7,57	663	2,10	CSIR	200-220/220-230V 50/60Hz	185,6	VDE / UL
GLY80RAa	8,1	814	2,50	CSIR	220-240V 50Hz	185,6	VDE
GL90TB	8,85	791	2,20	CSIR	220-240V 50Hz	185,6	VDE
GL90TG	8,85	791	2,08	CSIR	200-220/220-230V 50/60Hz	198	VDE / UL

AHSRAE46 Conditions

NEW MODEL

Model	Disp. cc	Capacity W	COP W/W	Motor	Voltage	Height mm	Approvals
GU45TG	4,5	470	2,40	CSIR	200-230/220-240V 50/60Hz	173,5	VDE
GU60TG	6	640	2,40	CSIR	200-230/220-240V 50/60Hz	173,5	VDE
GE70TG	6,7	705	2,20	CSIR	200-240/220-240V 50/60Hz	173,5	VDE
GU80TB	8,1	830	2,31	CSIR	220-240V 50Hz	176	VDE
GE80TG	8,1	830	2,20	CSIR	220-240/230V 50/60Hz	173,5	VDE

PHASE OUT MODELS



GE/GU MODELS

